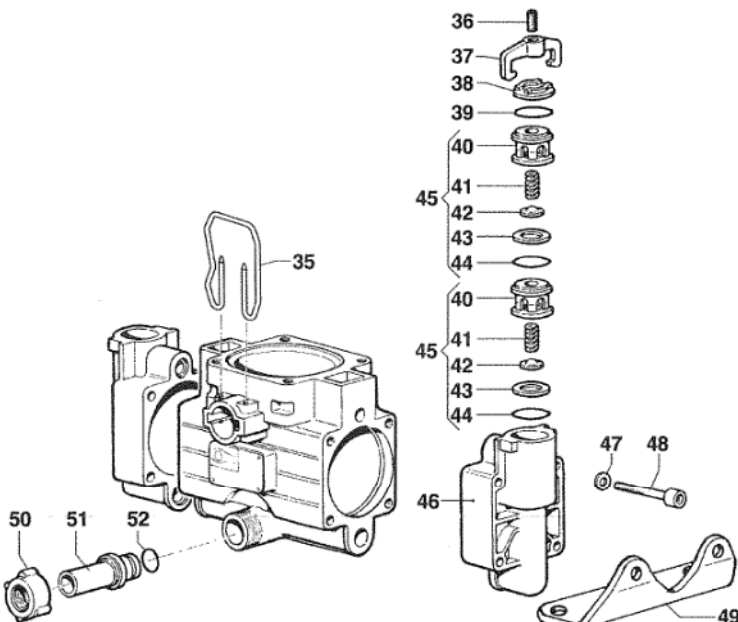
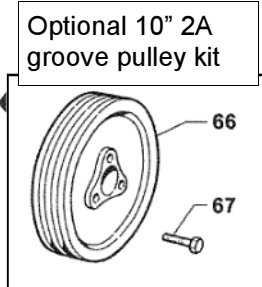
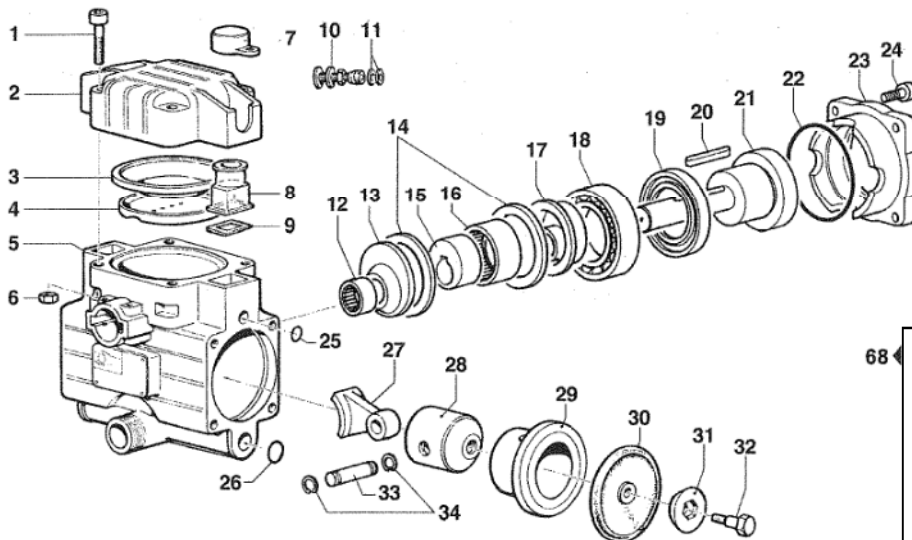




MP20 / MP30

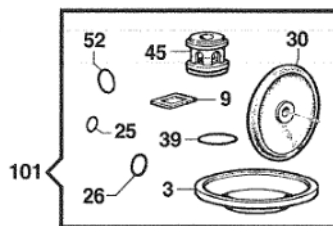
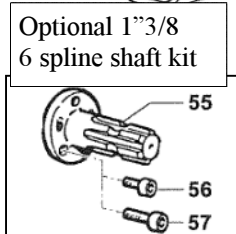
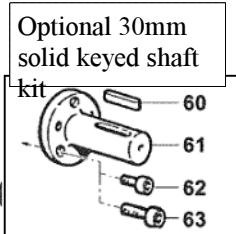
MP20 / MP30



Optional accessories:

For regulator, refer to drawings #1204.0560.00 on page 51.

For gearbox, refer to drawing #5005.0216.00 on page 45.



PRICES SUBJECT TO CHANGE WITHOUT NOTICE.

#	PART #	DESCRIPTION	NOTE	QTY
1	3609.0095.00	SCREW	M10x50	4
2	0003.0021.00	MP30 PULSATION DAMPNER	ORANGE	1
	0003.0023.00	MP20 PULSATION DAMPNER	RED	1
3	1800.0033.00	DIAPHRAGM		1
4	0460.0011.00	DIAPHRAGM SUPPORT CAP		1
5	0403.0083.00	PUMP CRANKCASE		1
6	0604.0105.00	NUT	M10	4
7	1800.0081.00	VOLUM. COMP. DIAPHRAGM		2
8	0421.0013.00	VOLUMETRIC COMPENSATOR		2
9	1201.0071.00	FLAT GASKET		2
10	3610.0003.00	AIR VALVE		1
11	1209.0033.00	GASKET	14x7,5x2	2
12	0437.0026.00	ROLLER BEARING	20x26x20	1
13	2813.0047.00	CONNECTING ROD WASHER	62x20x14,5	1
14	0010.0008.00	CONNECTING ROD RING	68x55x6	2
15	0800.0009.00	MP30 SHAFT		1
	0800.0006.00	MP20 SHAFT		1
16	0437.0027.00	ROLLER BEARING	40x47x20	1
17	2813.0023.00	CONNECTING ROD WASHER	20x62x14,5	1
18	0438.0037.00	BALL BEARING	45x75x16	1
19	0019.0023.00	OIL SEAL	45x72x10	1
20	1602.0021.00	KEY	6x6x35	1
21	0004.0010.00	6 HOLES SHAFT		1
22	1210.0069.00	O-RING	1,8x83	1
23	0405.0022.00	SUPPORT COVER		1
24	3609.0009.00	SCREW	M10x35	4
25	1210.0057.00	O-RING	2,62x10,78	2
26	1210.0021.00	O-RING	2,62X15,54	2
27	0205.0021.00	CONNECTING ROD ASSEMBLY		1
28	2409.0041.00	MP30 PISTON	45	2
	2409.0023.00	MP20 PISTON	45	2
29	0400.0053.00	MP30 PISTON SLEEVE	45	2
	0400.0030.00	MP20 PISTON SLEEVE	45	2
30	1800.0020.00	DIAPHRAGM	BUNA	2
	1800.0102.00	DIAPHRAGM	DESMOPAN	2
	1800.0028.00	DIAPHRAGM	VITON	2
31	0602.0008.00	DISC		2
32	3605.0027.00	DIAPHRAGM HOLDER SCREW	M8	2
33	3011.0013.00	MP30 CONNECTING ROD PIN	12x36,5	2
	3011.0006.00	MP20 CONNECTING ROD PIN	12x36,5	2
34	3020.0020.00	RETAINING CLIP	12	4
35	1202.0060.00	DELIVERY HOOK		1
36	3622.0017.00	SCREW	M8x16	2
37	0418.0033.00	U-BOLT		2
38	3202.0081.00	PLUG		2
39	1210.0191.00	O-RING	3X25	2
40	1205.0021.00	SUCT./DELIV. VALVE CAGE		4

#	PART #	DESCRIPTION	NOTE	QTY
41	1802.0034.00	SPRING (WIRE 0,6)	e10,6x18	4
42	3604.0007.00	SUCTION/DELIVERY VALVE		4
43	3009.0057.00	SUCT./DELIVERY VALVE SEAT		4
44	1210.0191.00	O-RING	3x25	4
45	1220.0021.00	SUCT./DELIV. VALVE ASS.Y KIT		4
46	3218.0069.00	PUMP MAINIFOLD		2
47	2811.0004.00	WASHER	8,4x14x1,6	4
48	3609.0097.00	SCREW	M8x50	8
49	2400.0043.00	PUMP MOUNTING BRACKET		2
50	1200.0008.00	WING NUT	30MB	1
51	2800.0019.00	STRAIGHT HOSE BY-PASS TAIL	15,5X23	1
52	1210.0046.00	O-RING	2,62x17,13	1
53	2803.0027.00	ELBOW QUICK COUPLING	16	1
54	1210.0002.00	O-RING	2,62x20,7	2

#	PART #	DESCRIPTION	NOTE	QTY
55	0027.0016.00	SHAFT	1"3/8	1
56	3609.0157.00	SCREW	M8x18	3
57	3609.0026.00	SCREW	M10X18	3
58	5003.0007.00	CARDAN KIT	1"3/8	1

#	PART #	DESCRIPTION	NOTE	QTY
60	1602.0018.00	KEY	8x7x40	1
61	0027.0017.00	SHAFT	30 CYL	1
62	3609.0157.00	SCREW	M8x18	3
63	3609.0026.00	SCREW	M10x18	3
64	5003.0014.00	CYLINDRIC CARDAN KIT	30	1

#	PART #	DESCRIPTION	NOTE	QTY
68	5001.0052.00	PULLEY KIT	2A-p247mm	1

#	PART #	DESCRIPTION	NOTE	QTY
101	5026.0080.00	REBUILD KIT		1